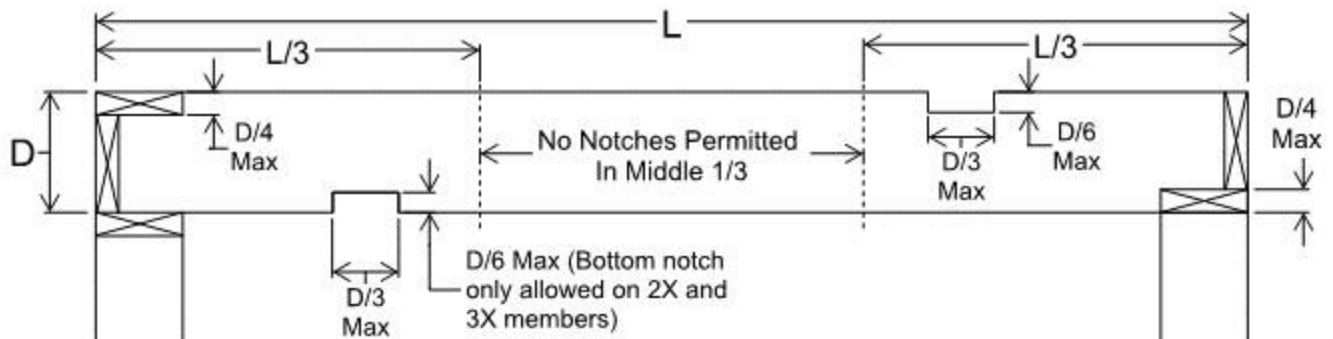
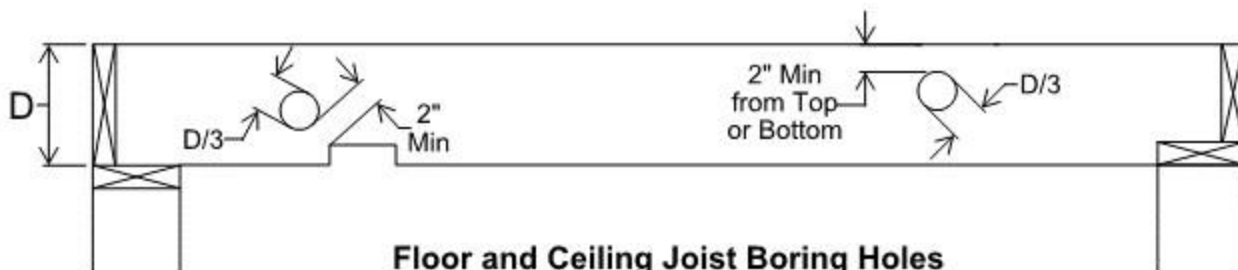


Notching and Boring of Framing Members

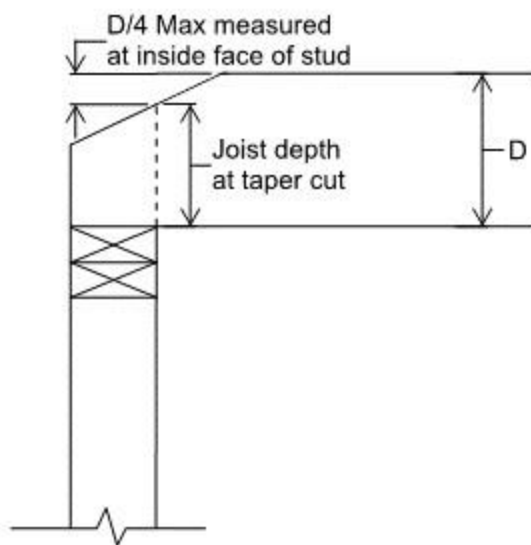
This Tip Sheet reflects code requirements of the 2018 International Residential Code (IRC) with Washington State Amendments.



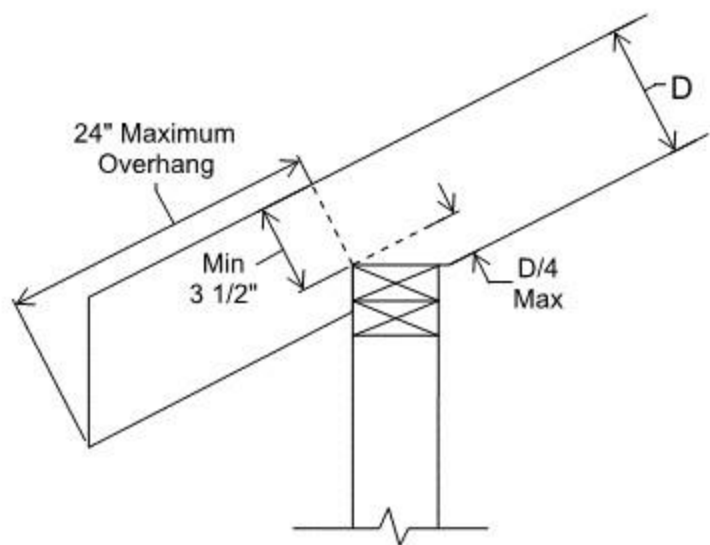
Floor and Ceiling Joist Notching



Floor and Ceiling Joist Boring Holes

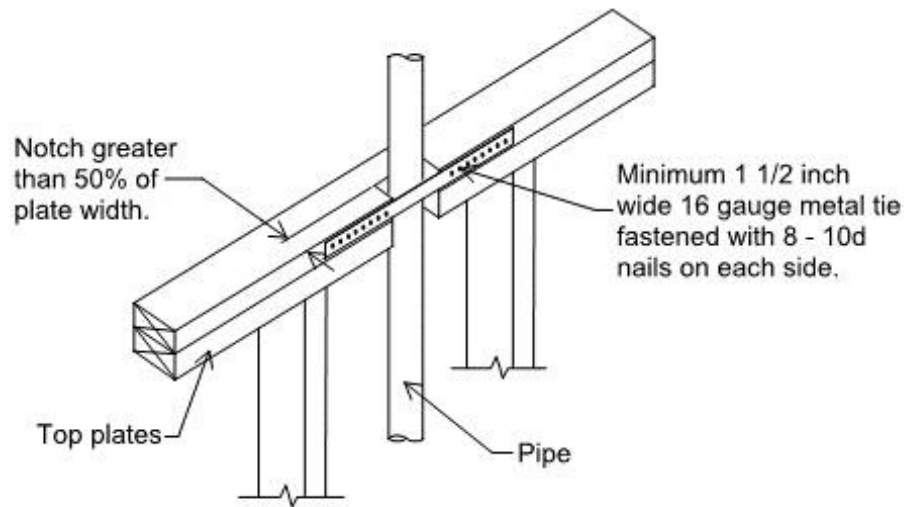
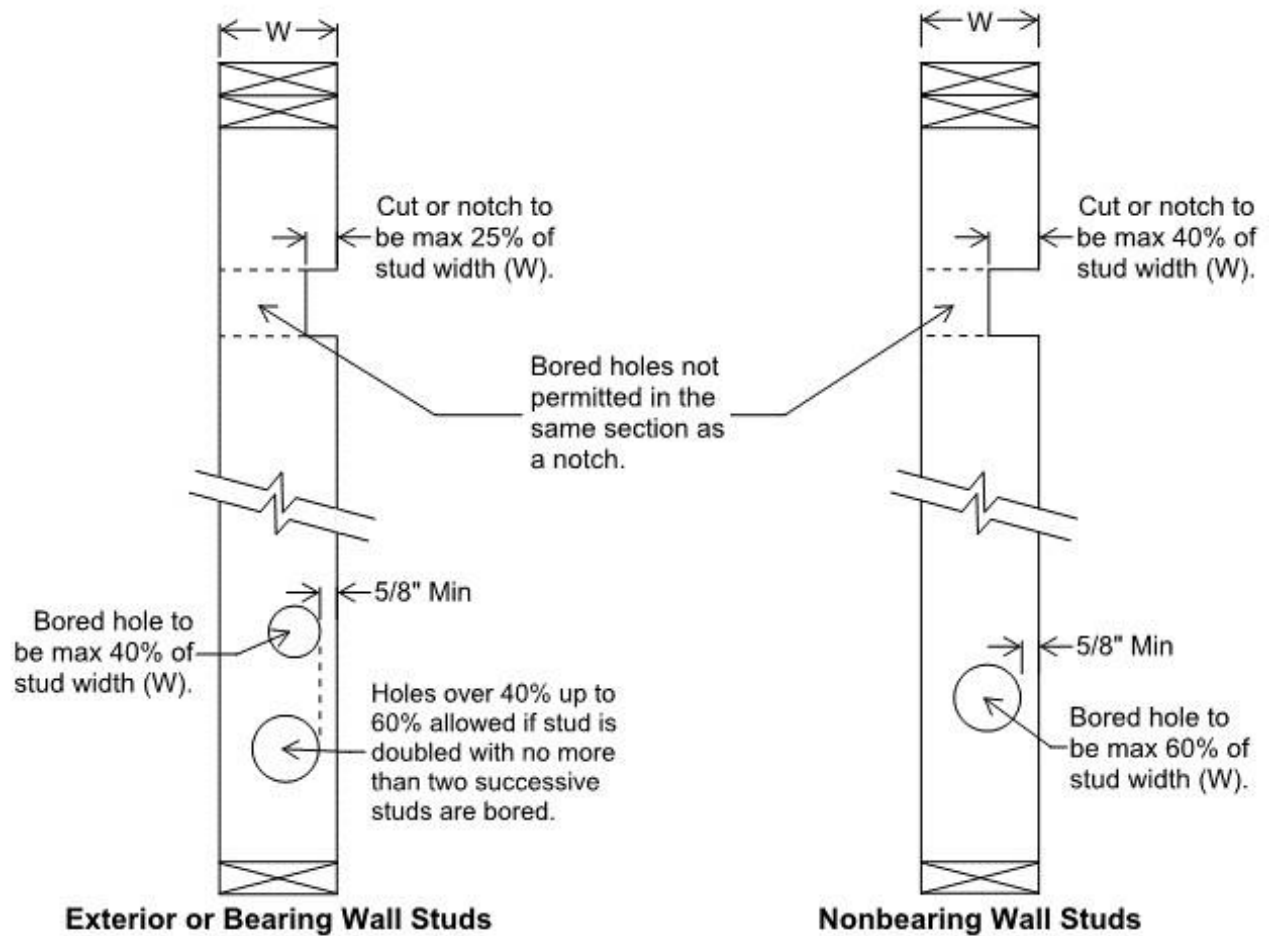


Ceiling Joist Taper Cutting



Rafter Notching

Figure 1: Floor Joists, Ceiling Joists, and Rafters (per IRC R502.8 and R802.7)



Drilling and Notching of Top Plates

Figure 2: Studs and Top Plates (per IRC R602.6)