

1109.1.3 Hot tubs and Spas. At least one accessible means of entry shall be provided for hot tubs and spas. Accessible means of entry shall comply with swimming pool lifts complying with Section 1109.2; transfer walls complying with Section 1109.4; or transfer systems complying with Section 1109.5.

EXCEPTION: Where hot tubs or spas are provided in a cluster, no more than 5 percent, but not less than one hot tub or spa in each cluster shall be required to comply with Section 1109.1.3.

1109.2 Pool Lifts. Pool lifts shall comply with Section 1109.2.

1109.2.1 Pool Lift Location. Pool lifts shall be located where the water level does not exceed 48 inches (1220 mm).

EXCEPTIONS:

1. Where the entire pool depth is greater than 48 inches (1220 mm), compliance with Section 1109.2.1 shall not be required.
2. Where multiple pool lift locations are provided, no more than one pool lift shall be required to be located in an area where the water level is 48 inches (1220 mm) maximum.

1109.2.2 Seat Location. In the raised position, the centerline of the seat shall be located over the deck and 16 inches (405 mm) minimum from the edge of the pool. The deck surface between the centerline of the seat and the pool edge shall have a slope not steeper than 1:48.

1109.2.3 Clear Deck Space. On the side of the seat opposite the water, a clear deck space shall be provided parallel with the seat. The space shall be 36 inches (915 mm) minimum in width and shall extend forward 48 inches (1220 mm) minimum from a line located 12 inches (305 mm) behind the rear edge of the seat. The clear deck space shall have a slope not steeper than 1:48.

1109.2.4 Seat Height. The height of the lift seat shall be designed to allow a stop at 16 inches (405 mm) minimum and 19 inches (485 mm) maximum measured from the deck to the top of the seat surface when in the raised (load) position.

1109.2.5 Seat. The seat shall be 16 inches (405 mm) minimum in width, provide a back rest, and be of a firm and stable design.

1109.2.6 Footrests and Armrests. Footrests shall be provided and shall move with the seat. If provided, the armrest positioned opposite the water shall be removable or shall fold clear of the seat when the seat is in the raised (load) position.

EXCEPTION: Footrests shall not be required on pool lifts provided in spas.

1109.2.7 Operation. The lift shall be capable of unassisted operation from both the deck and water levels. Controls and operating mechanisms shall be unobstructed when the lift is in use and shall comply with Section 309.4.

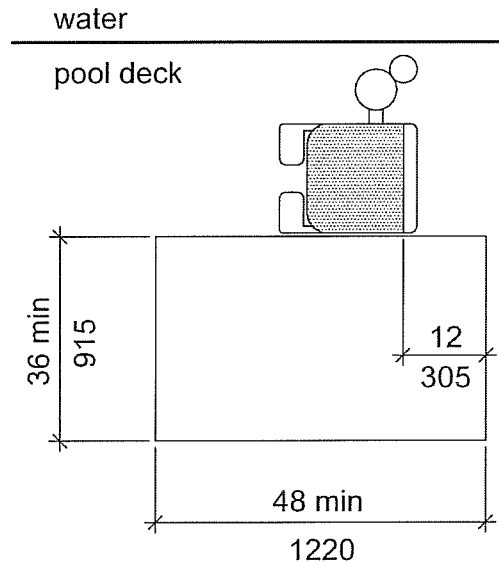


FIGURE 1109.2.3 CLEAR DECK SPACE AT POOL LIFTS

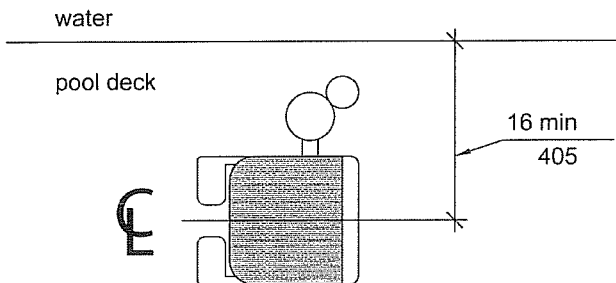


FIGURE 1109.2.2 POOL LIFT SEAT LOCATION

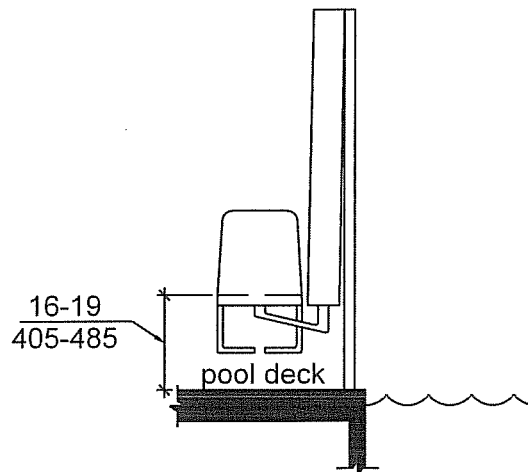


FIGURE 1109.2.4 POOL LIFT SEAT HEIGHT

1108.4.2.2.3 Transfer Supports. At least one means of support for transferring shall be provided.

1108.4.3 Play Components. Ground level play components on accessible routes and elevated play components connected by ramps shall comply with Section 1108.4.3.

1108.4.3.1 Turning Space. At least one turning space complying with Section 304 shall be provided on the same level as play components. Where swings are provided, the turning space shall be located immediately adjacent to the swing.

1108.4.3.2 Clear Floor Space. Clear floor space complying with Sections 305.2 and 305.3 shall be provided at play components.

1108.4.3.3 Play Tables. Where play tables are provided, knee clearance 24 inches (610 mm) minimum in height, 17 inches (430 mm) minimum in depth, and 30 inches (760 mm) minimum in width shall be provided. The tops of rims, curbs, or other obstructions shall be 31 inches (785 mm) maximum in height.

EXCEPTION: Play tables designed and constructed primarily for children 5 years and younger shall not be required to provide knee clearance where the clear floor space required by Section 1108.4.3.2 is arranged for a parallel approach.

1108.4.3.4 Entry Points and Seats. Where play components require transfer to entry points or seats, the entry points or seats shall be 11 inches (280 mm) minimum and 24 inches (610 mm) maximum from the clear floor space.

EXCEPTION: Entry points of slides shall not be required to comply with Section 1108.4.3.4.

1108.4.3.5 Transfer Supports. Where play components require transfer to entry points or seats, at

least one means of support for transferring shall be provided.

1109 Swimming Pools, Wading Pools, Hot tubs and Spas

1109.1 General. Swimming pools, wading pools, hot tubs and spas shall comply with Section 1109.

1109.1.1 Swimming pools. At least two accessible means of entry shall be provided for swimming pools. Accessible means of entry shall be swimming pool lifts complying with Section 1109.2; sloped entries complying with Section 1109.3; transfer walls complying with Section 1109.4, transfer systems complying with Section 1109.5; and pool stairs complying with Section 1109.6. At least one accessible means of entry provided shall comply with Section 1109.2 or 1109.3

EXCEPTIONS:

1. Where a swimming pool has less than 300 linear feet (91 m) of swimming pool wall, no more than one accessible means of entry shall be required.
2. Wave action pools, leisure rivers, sand bottom pools, and other pools where user access is limited to one area shall not be required to provide more than one accessible means of entry provided that the accessible means of entry is a swimming pool lift complying with Section 1109.2, a sloped entry complying with Section 1109.3, or a transfer system complying with Section 1109.5.
3. Catch pools shall not be required to provide an accessible means of entry provided that the catch pool edge is on an accessible route.

1109.1.2 Wading pools. At least one sloped entry complying with Section 1109.3 shall be provided in wading pools.

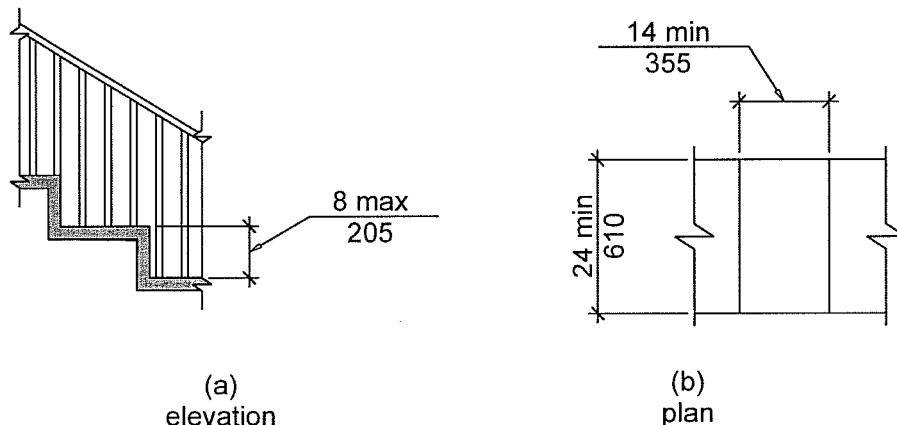


FIG. 1108.4.2.2
TRANSFER STEPS

1109.2.8 Submerged Depth. The lift shall be designed so that the seat will submerge to a water depth of 18 inches (455 mm) minimum below the stationary water level.

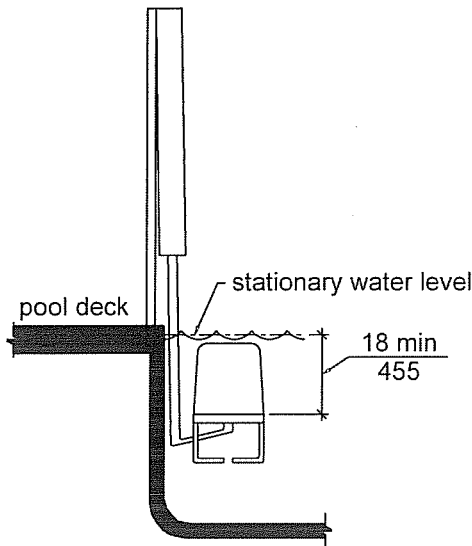


FIGURE 1109.2.8
POOL LIFT SUBMERGED DEPTH

1109.2.9 Lifting Capacity. Single person pool lifts shall have a weight capacity of 300 pounds (136 kg) minimum and be capable of sustaining a static load of at least one and a half times the rated load.

1109.3 Sloped Entries. Sloped entries shall comply with Section 1109.3.

1109.3.1 Sloped Entry Route. Sloped entries shall comply with Chapter 4 except as modified by Sections 1109.3.1 through 1109.3.3.

EXCEPTION: Where sloped entries are provided, the surfaces shall not be required to be slip resistant.

1109.3.2 Submerged Depth. Sloped entries for swimming pools shall comply with Section 1109.3.2.1. Sloped entries for wading pools shall comply with Section 1109.3.2.2.

1109.3.2.1 Swimming Pools. Sloped entries for swimming pools shall extend to a depth of 24 inches (610 mm) minimum and 30 inches (760 mm) maximum below the stationary water level.

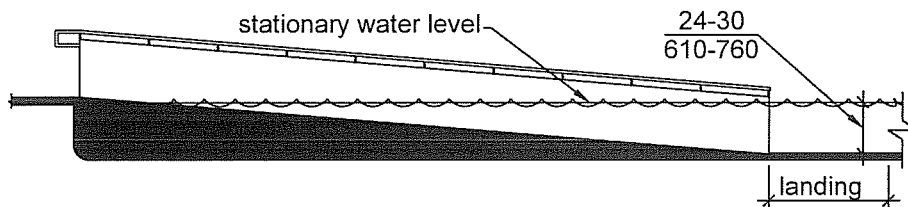


FIGURE 1109.3.2
SLOPED ENTRY SUBMERGED DEPTH

mm) maximum below the stationary water level. Where landings are required by Section 405.7, at least one landing shall be located 24 inches (610 mm) minimum and 30 inches (760 mm) maximum below the stationary water level.

1109.3.2.2 Wading Pools. In wading pools, the sloped entry shall extend to the deepest part of the wading pool.

1109.3.3 Handrails. At least two handrails complying with Section 505 shall be provided on the sloped entry. The clear width between required handrails shall be 33 inches (840 mm) minimum and 38 inches (965 mm) maximum.

EXCEPTIONS:

1. Handrail extensions specified by Section 505.10.1 shall not be required at the bottom landing serving a sloped entry.
2. Where a sloped entry is provided for wave action pools, leisure rivers, sand bottom pools, and other pools where user access is limited to one area, the handrails shall not be required to comply with the clear width requirements of Section 1109.3.3.
3. Sloped entries in wading pools shall not be required to provide handrails complying with Section 1109.3.3. If provided, handrails on sloped entries in wading pools shall not be required to comply with Section 505.

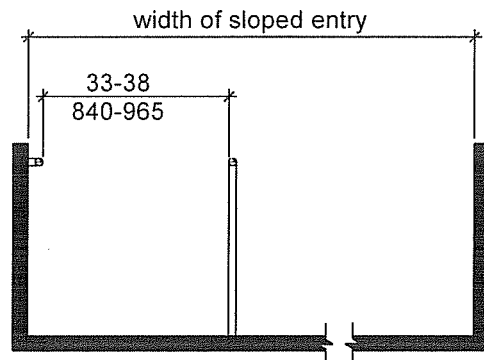


FIGURE 1109.3.3
HANDRAILS FOR SLOPED ENTRY

1109.4 Transfer Walls. Transfer walls shall comply with Section 1109.4.

1109.4.1 Clear Deck Space. A clear deck space of 60 inches (1525 mm) minimum by 60 inches (1525 mm) minimum with a slope not steeper than 1:48 shall be provided at the base of the transfer wall. Where one grab bar is provided, the clear deck space shall be centered on the grab bar. Where two grab bars are provided, the clear deck space shall be centered on the clearance between the grab bars.

1109.4.2 Height. The height of the transfer wall shall be 16 inches (405 mm) minimum and 19 inches (485 mm) maximum measured from the deck.

1109.4.3 Wall Depth and Length. The transfer wall shall be 12 inches (305 mm) minimum and 16 inches (405 mm) maximum in depth. The transfer wall shall be 60 inches (1525 mm) minimum in length and shall be centered on the clear deck space.

1109.4.4 Surface. Surfaces of transfer walls shall not be sharp and shall have rounded edges.

1109.4.5 Grab Bars. At least one grab bar complying with Sections 609.1 through 609.3 and 609.5 through 609.8 shall be provided on the transfer wall. Grab bars shall be perpendicular to the pool wall and shall extend the full depth of the transfer wall. The top of the gripping surface shall be 4 inches (100 mm) minimum and 6 inches (150 mm) maximum above the transfer wall. Where one grab bar is provided, clearance shall be 24 inches (610 mm) minimum on both sides of the grab bar. Where two grab bars are provided, clearance between grab bars shall be 24 inches (610 mm) minimum.

1109.5 Transfer Systems. Transfer systems shall comply with Section 1109.5.

1109.5.1 Transfer Platform. A transfer platform shall be provided at the head of each transfer system. Transfer platforms shall provide a clear depth of 19 inches (485 mm) minimum and a clear width of 24 inches (610 mm) minimum.

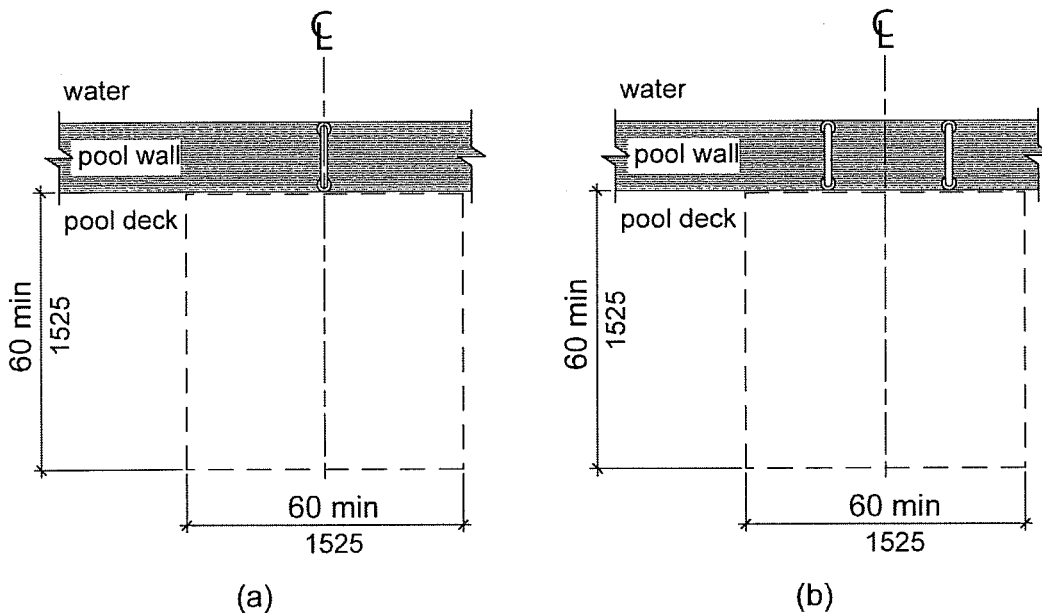


FIGURE 1109.4.1
CLEAR DECK SPACE AT TRANSFER WALLS

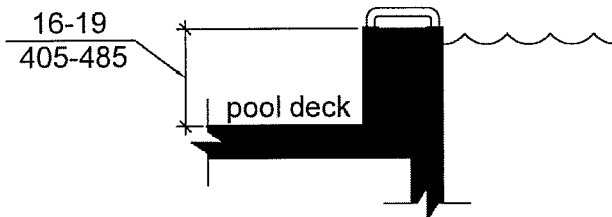


FIGURE 1109.4.2
TRANSFER WALL HEIGHT

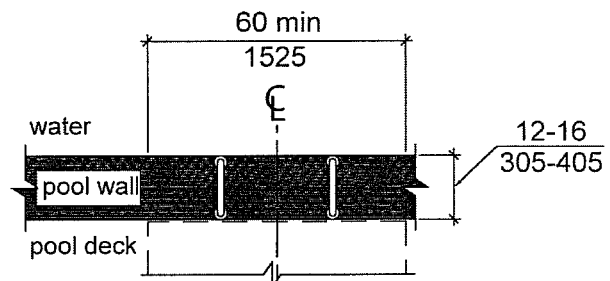


FIGURE 1109.4.3
DEPTH AND LENGTH OF TRANSFER WALLS

1109.5.2 Transfer Space. A transfer space of 60 inches (1525 mm) minimum by 60 inches (1525 mm) minimum with a slope not steeper than 1:48 shall be provided at the base of the transfer platform surface. The transfer space shall be centered along a 24-inch (610 mm) minimum side of the transfer platform. The side of the transfer platform serving the transfer space shall be unobstructed.

1109.5.3 Height. The height of the transfer platform shall comply with Section 1109.4.2.

1109.5.4 Transfer Steps. Transfer steps shall be 8 inches (205 mm) maximum in height. The surface of the bottom tread shall extend to a water depth of 18 inches (455 mm) minimum below the stationary water level.

1109.5.5 Surface. The surface of the transfer system shall not be sharp and shall have rounded edges.

1109.5.6 Size. Each transfer step shall have a tread clear depth of 14 inches (355 mm) minimum and 17 inches (430 mm) maximum and shall have a tread clear width of 24 inches (610 mm) minimum.

1109.5.7 Grab Bars. At least one grab bar on each transfer step and the transfer platform or a continuous grab bar serving each transfer step and the transfer platform shall be provided. Where a grab bar is provided on each step, the tops of gripping surfaces shall be 4 inches (100 mm) minimum and 6 inches (150 mm) maximum above each step and transfer platform. Where a continuous grab bar is provided, the top of the gripping surface shall be 4

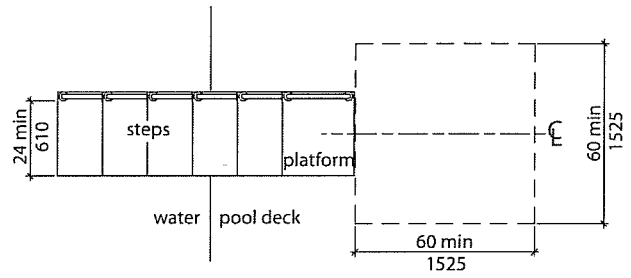


FIG. 1109.5.2
CLEAR DECK SPACE AT TRANSFER PLATFORM

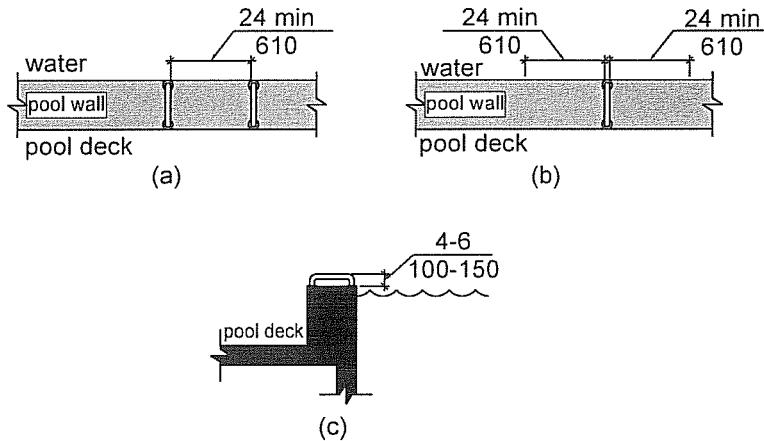


FIGURE 1109.4.5
GRAB BARS FOR TRANSFER WALLS

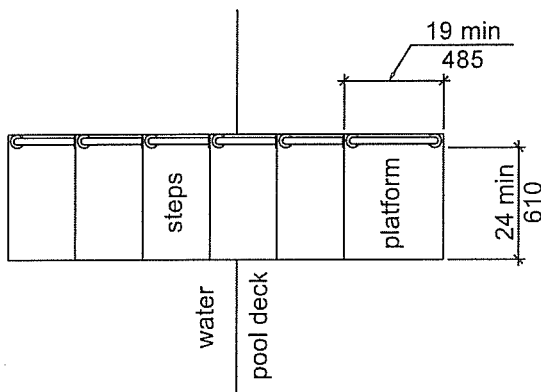


FIG. 1109.5.1
SIZE OF TRANSFER PLATFORM

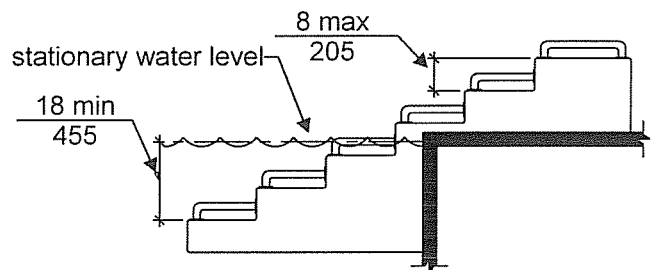


FIG. 1109.5.4
TRANSFER STEPS

inches (100 mm) minimum and 6 inches (150 mm) maximum above the step nosing and transfer platform. Grab bars shall comply with Sections 609.1 through 609.3 and 609.5 through 609.8 and be located on at least one side of the transfer system. The grab bar located at the transfer platform shall not obstruct transfer.

1109.6 Pool Stairs. Pool stairs shall comply with Section 1109.6.

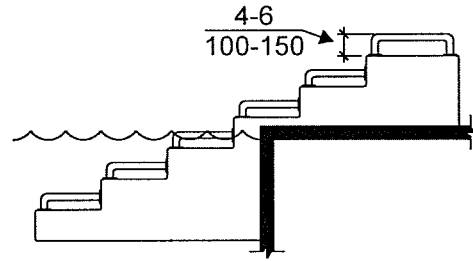
1109.6.1 Pool Stairs. Pool stairs shall comply with Section 504.

EXCEPTION: Pool step risers shall not be required to be 4 inches (100 mm) minimum and 7 inches (180 mm) maximum in height provided that riser heights are uniform.

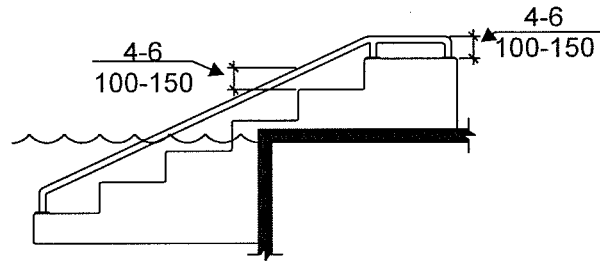
1109.6.2 Handrails. The width between handrails shall be 20 inches (510 mm) minimum and 24 inches (610 mm) maximum. Handrail extensions required by 505.10.3 shall not be required on pool stairs.

1110 Shooting Facilities with Firing Positions

1110.1 Turning Space. A circular turning space complying with Section 304.3.1 with slopes not steeper than 1:48 shall be provided at shooting facility firing positions.



(a)
individual grab bars



(b)
continuous grab bars

FIG. 1109.5.7
GRAB BARS

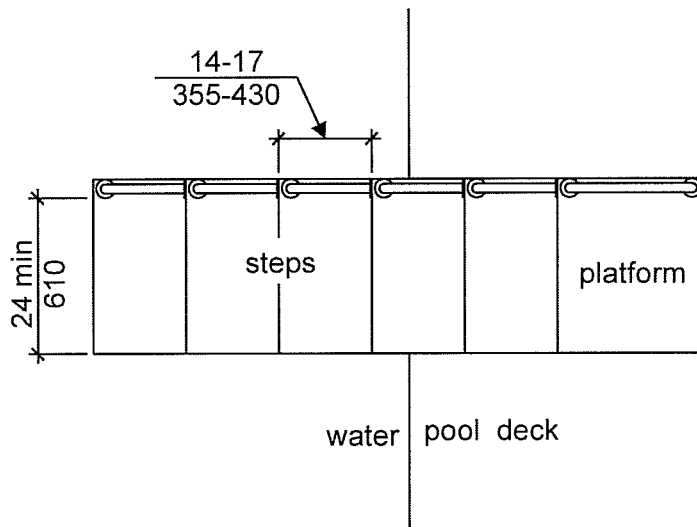


FIG. 1109.5.6
SIZE OF TRANSFER STEPS